

FU SINTERED BEARING

FU oil retaining sintered bearing made of bronze or iron powder, mold pressed in high pressure, sintered in high temperature and soaked in oil by vacuum. It's used in domestic electric appliances, electric tools, textiles machinery, chemical machinery and automobile industry, etc.

Performance index	Data
Maximum load capacity	150 N/mm ²
Temperature range	-60~+200°C
Maximum sliding speed	2.5 m/s
Alloy material	CuSn6-6-3
Maximum PV value	2.45 N/mm ² · m/s

SHAPE OF SINTERED FUBEARING

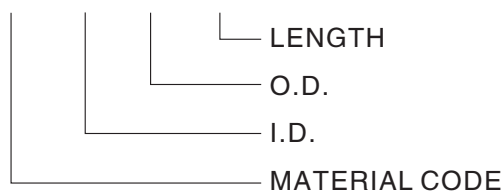


TYPES OF MATERIAL AND BASIC METAL

MATERIAL CODE	COMPOSITION %							CHARACTER			
	Fe	C	Cu	Sn	Zn	Pb	other	Oil density g/cm ³	Oil rate %	Horizontal Break point kgf/mm ²	Hardness HB
FU11	<0.5	0.5~2.0	Allo.	5~7	5~7	2~4	<1.5	6.4	≥18	>15	20~50
FU12	<0.5	0.5~2.0	Allo.	5~7	5~7	2~4	<1.5	6.8	≥12	>20	30~60
FU21	<0.5	0.5~2.0	Allo.	8~11	-	-	<1.0	6.0	≥25	>15	25~55
FU22	<0.5	0.5~2.0	Allo.	8~11	-	-	<1.0	6.4	≥18	>20	35~65
FU31	Allo.	-	18~22	-	-	-	<3	6.0	≥18	>30	30~60
FU32	Allo.	-	18~22	-	-	-	<3	6.4	≥12	>35	40~70
FU41	Allo.	0.25~0.60	-	-	-	-	<3	6.0	≥18	>15	30~60
FU42	Allo.	0.25~0.60	-	-	-	-	<3	6.4	≥12	>20	40~70
FU51	Allo.	0.25~0.60	CuSn P6 70~90				<3	6.4	≥18	>30	30~60
FU52	Allo.	0.25~0.60	CuSn P6 50~70				<3	6.8	≥12	>25	40~70

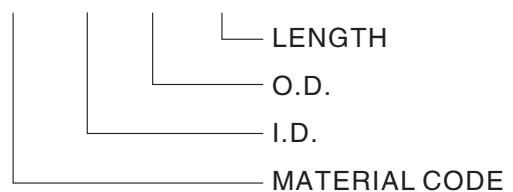
METRIC SINTERED BEARING

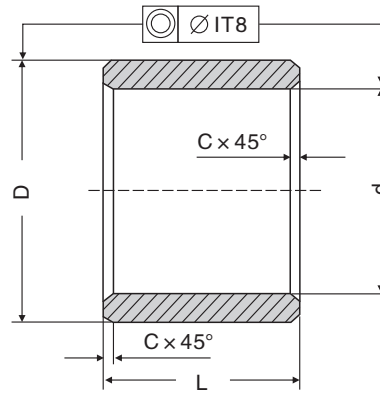
FU□D x x x x x x



METRIC SINTERED BEARING WITH FLANGE

FU□F x x x x x x





Model No.	I.D. d(G7)	O.D. D(s7)	Length	C _{max} CHAMFER
FU□D020502	2 ^{+0.012} / _{+0.002}	5 ^{+0.031} / _{+0.019}	2 ± 0.070	
FU□D020503			3 ± 0.070	
FU□D020503			3 ± 0.070	
FU□D020504	2 ^{+0.012} / _{+0.002}	5 ^{+0.031} / _{+0.019}	4 ± 0.090	
FU□D020506			6 ± 0.090	
FU□D030603			3 ± 0.070	
FU□D030604			4 ± 0.090	
FU□D030605			5 ± 0.090	
FU□D030606	3 ^{+0.012} / _{+0.002}	6 ^{+0.031} / _{+0.019}	6 ± 0.090	
FU□D030607			7 ± 0.110	
FU□D030610			10 ± 0.110	
FU□D040605			5 ± 0.090	
FU□D040608	4 ^{+0.016} / _{+0.004}	6 ^{+0.031} / _{+0.019}	8 ± 0.110	
FU□D040610			10 ± 0.110	
FU□D040703			3 ± 0.070	
FU□D040704			4 ± 0.090	
FU□D040706			6 ± 0.090	
FU□D040708	4 ^{+0.016} / _{+0.004}	7 ^{+0.038} / _{+0.023}	8 ± 0.110	
FU□D040712			12 ± 0.135	
FU□D040804			4 ± 0.090	
FU□D040805			5 ± 0.090	
FU□D040806			6 ± 0.090	0.3
FU□D040808			8 ± 0.110	
FU□D040810	4 ^{+0.016} / _{+0.004}	8 ^{+0.038} / _{+0.023}	10 ± 0.110	
FU□D040812			12 ± 0.1305	
FU□D050804			4 ± 0.090	
FU□D050805			5 ± 0.090	
FU□D050808			8 ± 0.110	
FU□D050810			10 ± 0.110	
FU□D050812	5 ^{+0.016} / _{+0.004}	8 ^{+0.038} / _{+0.023}	12 ± 0.135	
FU□D050815			15 ± 0.135	
FU□D050816			16 ± 0.135	
FU□D050904			4 ± 0.090	
FU□D050905			5 ± 0.090	
FU□D050908	5 ^{+0.016} / _{+0.004}	9 ^{+0.038} / _{+0.023}	8 ± 0.110	
FU□D050910			10 ± 0.110	
FU□D051005			5 ± 0.090	
FU□D051010	5 ^{+0.016} / _{+0.004}	10 ^{+0.038} / _{+0.023}	10 ± 0.110	
FU□D051012			12 ± 0.135	
FU□D051015			15 ± 0.135	
FU□D060904	6 ^{+0.016} / _{+0.004}	9 ^{+0.038} / _{+0.023}	4 ± 0.090	
FU□D060906			6 ± 0.090	

Model No.	I.D. d(G7)	O.D. D(s7)	Length	C _{max} CHAMFER
FU□D060910			10 ± 0.110	
FU□D060912	6 ^{+0.016} / _{+0.004}	9 ^{+0.038} / _{+0.023}	12 ± 0.135	
FU□D060916			16 ± 0.135	
FU□D061004			4 ± 0.090	
FU□D061005			5 ± 0.090	
FU□D061006			6 ± 0.090	
FU□D061010	6 ^{+0.016} / _{+0.004}	10 ^{+0.038} / _{+0.023}	10 ± 0.110	
FU□D061012			12 ± 0.135	
FU□D061015			15 ± 0.135	
FU□D061016			16 ± 0.135	
FU□D061205			5 ± 0.090	
FU□D061206			6 ± 0.090	
FU□D061210	6 ^{+0.016} / _{+0.004}	12 ^{+0.046} / _{+0.028}	10 ± 0.110	
FU□D061212			12 ± 0.135	
FU□D061215			15 ± 0.135	
FU□D061216			16 ± 0.135	
FU□D071005			5 ± 0.090	
FU□D071008	7 ^{+0.020} / _{+0.005}	10 ^{+0.046} / _{+0.028}	8 ± 0.110	
FU□D071010			10 ± 0.110	
FU□D071108			8 ± 0.110	
FU□D071110	7 ^{+0.020} / _{+0.005}	11 ^{+0.046} / _{+0.028}	10 ± 0.110	
FU□D081006			6 ± 0.090	0.3
FU□D081010	8 ^{+0.020} / _{+0.005}	10 ^{+0.046} / _{+0.028}	10 ± 0.110	
FU□D081015			15 ± 0.135	
FU□D081106			6 ± 0.090	
FU□D081108			8 ± 0.110	
FU□D081112	8 ^{+0.020} / _{+0.005}	11 ^{+0.046} / _{+0.028}	12 ± 0.135	
FU□D081116			16 ± 0.135	
FU□D081120			20 ± 0.165	
FU□D081206			6 ± 0.090	
FU□D081208			8 ± 0.110	
FU□D081210			10 ± 0.110	
FU□D081212	8 ^{+0.020} / _{+0.005}	12 ^{+0.046} / _{+0.028}	12 ± 0.135	
FU□D081215			15 ± 0.135	
FU□D081216			16 ± 0.135	
FU□D081220			20 ± 0.165	
FU□D081408			8 ± 0.110	
FU□D081410			10 ± 0.110	
FU□D081412	8 ^{+0.020} / _{+0.005}	14 ^{+0.046} / _{+0.028}	12 ± 0.135	
FU□D081415			15 ± 0.135	
FU□D081416			16 ± 0.135	
FU□D081420			20 ± 0.165	

Model No.	I.D. d(G7)	O.D. D(s7)	Length	C _{max} CHAMFER
FU□D091206			6 ± 0.090	
FU□D091210	9 ^{+0.020} _{+0.005}	12 ^{+0.046} _{+0.028}	10 ± 0.110	
FU□D091214			14 ± 0.135	
FU□D091406			6 ± 0.090	
FU□D091410			10 ± 0.110	0.3
FU□D091412	9 ^{+0.020} _{+0.005}	14 ^{+0.046} _{+0.028}	12 ± 0.135	
FU□D091414			14 ± 0.135	
FU□D091415			15 ± 0.135	
FU□D091420			20 ± 0.165	
FU□D101310			10 ± 0.110	
FU□D101312			12 ± 0.135	
FU□D101315	10 ^{+0.020} _{+0.005}	13 ^{+0.046} _{+0.028}	15 ± 0.135	
FU□D101316			16 ± 0.135	
FU□D101320			20 ± 0.165	
FU□D101325			25 ± 0.165	
FU□D101408			8 ± 0.110	
FU□D101410			10 ± 0.110	
FU□D101416	10 ^{+0.020} _{+0.005}	14 ^{+0.046} _{+0.028}	16 ± 0.135	
FU□D101420			20 ± 0.165	
FU□D101425			25 ± 0.165	
FU□D101510			10 ± 0.110	
FU□D101512			12 ± 0.135	
FU□D101515	10 ^{+0.020} _{+0.005}	15 ^{+0.046} _{+0.028}	15 ± 0.135	
FU□D101516			16 ± 0.135	
FU□D101520			20 ± 0.165	
FU□D101525			25 ± 0.165	
FU□D101608			8 ± 0.110	
FU□D101610			10 ± 0.110	
FU□D101612			12 ± 0.135	
FU□D101615	10 ^{+0.020} _{+0.005}	16 ^{+0.046} _{+0.028}	15 ± 0.135	
FU□D101616			16 ± 0.135	
FU□D101620			20 ± 0.165	0.4
FU□D101625			25 ± 0.165	
FU□D101810			10 ± 0.110	
FU□D101812			12 ± 0.135	
FU□D101815	10 ^{+0.020} _{+0.005}	18 ^{+0.046} _{+0.028}	15 ± 0.135	
FU□D101820			20 ± 0.165	
FU□D101825			25 ± 0.165	
FU□D121410			10 ± 0.110	
FU□D121412	12 ^{+0.024} _{+0.006}	14 ^{+0.046} _{+0.028}	12 ± 0.135	
FU□D121415			15 ± 0.135	
FU□D121420			20 ± 0.165	
FU□D121510			10 ± 0.110	
FU□D121512			12 ± 0.135	
FU□D121515	12 ^{+0.024} _{+0.006}	15 ^{+0.046} _{+0.028}	15 ± 0.135	
FU□D121516			16 ± 0.135	
FU□D121520			20 ± 0.165	
FU□D121525			25 ± 0.165	
FU□D121608			8 ± 0.110	
FU□D121610			10 ± 0.110	
FU□D121612	12 ^{+0.024} _{+0.006}	16 ^{+0.046} _{+0.028}	12 ± 0.135	
FU□D121615			15 ± 0.135	
FU□D121616			16 ± 0.135	
FU□D121620			20 ± 0.165	

Model No.	I.D. d(G7)	O.D. D(s7)	Length	C _{max} CHAMFER
FU□D121625	12 ^{+0.024} _{+0.006}	16 ^{+0.046} _{+0.028}	25 ± 0.165	
FU□D121712			12 ± 0.135	
FU□D121715			15 ± 0.135	
FU□D121716	12 ^{+0.024} _{+0.006}	17 ^{+0.046} _{+0.028}	16 ± 0.135	
FU□D121720			20 ± 0.165	
FU□D121725			25 ± 0.165	
FU□D121808			8 ± 0.110	
FU□D121810			10 ± 0.110	
FU□D121812			12 ± 0.135	
FU□D121815	12 ^{+0.024} _{+0.006}	18 ^{+0.046} _{+0.028}	15 ± 0.135	
FU□D121816			16 ± 0.135	
FU□D121820			20 ± 0.165	
FU□D121825			25 ± 0.165	
FU□D121830			30 ± 0.165	
FU□D122012			12 ± 0.135	
FU□D122015			15 ± 0.135	
FU□D122020	12 ^{+0.024} _{+0.006}	20 ^{+0.056} _{+0.035}	20 ± 0.165	
FU□D122025			25 ± 0.165	
FU□D122030			30 ± 0.165	
FU□D141810			10 ± 0.110	
FU□D141814			14 ± 0.135	
FU□D141815			15 ± 0.135	
FU□D141818	14 ^{+0.024} _{+0.006}	18 ^{+0.046} _{+0.028}	18 ± 0.135	
FU□D141820			20 ± 0.165	
FU□D141822			22 ± 0.165	
FU□D141825			25 ± 0.165	
FU□D141828			28 ± 0.165	
FU□D142010			10 ± 0.110	0.4
FU□D142014			14 ± 0.135	
FU□D142015			15 ± 0.135	
FU□D142018			18 ± 0.135	
FU□D142020	14 ^{+0.024} _{+0.006}	20 ^{+0.056} _{+0.035}	20 ± 0.165	
FU□D142022			22 ± 0.165	
FU□D142025			25 ± 0.165	
FU□D142028			28 ± 0.165	
FU□D142030			30 ± 0.165	
FU□D142215			15 ± 0.135	
FU□D142220	14 ^{+0.024} _{+0.006}	22 ^{+0.056} _{+0.035}	20 ± 0.165	
FU□D142225			25 ± 0.165	
FU□D142230			30 ± 0.165	
FU□D151815			15 ± 0.135	
FU□D151820	15 ^{+0.024} _{+0.006}	18 ^{+0.046} _{+0.028}	20 ± 0.165	
FU□D151825			25 ± 0.165	
FU□D151830			30 ± 0.165	
FU□D151910			10 ± 0.110	
FU□D151915			15 ± 0.135	
FU□D151916			16 ± 0.135	
FU□D151920	15 ^{+0.024} _{+0.006}	19 ^{+0.056} _{+0.035}	20 ± 0.165	
FU□D151925			25 ± 0.165	
FU□D151930			30 ± 0.165	
FU□D151932			32 ± 0.195	
FU□D152015			15 ± 0.135	
FU□D152020	15 ^{+0.024} _{+0.006}	20 ^{+0.056} _{+0.035}	20 ± 0.165	
FU□D152025			25 ± 0.165	



METRIC SINTERED FU BEARING

Model No.	I.D. d(G7)	O.D. D(s7)	Length	C _{max} CHAMFER
FU□D152030	15 ^{+0.024} / _{+0.006}	20 ^{+0.056} / _{+0.035}	30 ± 0.165	
FU□D152115			15 ± 0.135	
FU□D152116			16 ± 0.135	
FU□D152120	15 ^{+0.024} / _{+0.006}	21 ^{+0.056} / _{+0.035}	20 ± 0.165	
FU□D152125			25 ± 0.165	
FU□D152132			32 ± 0.195	
FU□D152215			15 ± 0.135	
FU□D152220	15 ^{+0.024} / _{+0.006}	22 ^{+0.056} / _{+0.035}	20 ± 0.165	
FU□D152225			25 ± 0.165	
FU□D152230			30 ± 0.165	
FU□D162012			12 ± 0.135	
FU□D162015			15 ± 0.135	
FU□D162016			16 ± 0.135	
FU□D162020	16 ^{+0.024} / _{+0.006}	20 ^{+0.056} / _{+0.035}	20 ± 0.165	
FU□D162025			25 ± 0.165	
FU□D162030			30 ± 0.165	
FU□D162032			32 ± 0.195	
FU□D162212			12 ± 0.135	
FU□D162215			15 ± 0.135	
FU□D162216			16 ± 0.135	
FU□D162220			20 ± 0.165	
FU□D162225	16 ^{+0.024} / _{+0.006}	22 ^{+0.056} / _{+0.035}	25 ± 0.165	
FU□D162230			30 ± 0.165	
FU□D162232			32 ± 0.195	
FU□D162235			35 ± 0.195	
FU□D172215			15 ± 0.135	
FU□D172220			20 ± 0.165	
FU□D172225	17 ^{+0.024} / _{+0.006}	22 ^{+0.056} / _{+0.035}	25 ± 0.165	0.4
FU□D172230			30 ± 0.165	
FU□D172235			35 ± 0.195	
FU□D182212			12 ± 0.135	
FU□D182215			15 ± 0.135	
FU□D182218			18 ± 0.135	
FU□D182220			20 ± 0.165	
FU□D182222	18 ^{+0.024} / _{+0.006}	22 ^{+0.056} / _{+0.035}	22 ± 0.165	
FU□D182225			25 ± 0.165	
FU□D182228			28 ± 0.165	
FU□D182230			30 ± 0.165	
FU□D182236			36 ± 0.195	
FU□D182418			18 ± 0.135	
FU□D182420			20 ± 0.165	
FU□D182422			22 ± 0.165	
FU□D182425	18 ^{+0.024} / _{+0.006}	24 ^{+0.056} / _{+0.035}	25 ± 0.165	
FU□D182428			28 ± 0.165	
FU□D182430			30 ± 0.165	
FU□D182435			35 ± 0.195	
FU□D182436			36 ± 0.195	
FU□D182518			18 ± 0.135	
FU□D182522			22 ± 0.165	
FU□D182525	18 ^{+0.024} / _{+0.006}	25 ^{+0.056} / _{+0.035}	25 ± 0.165	
FU□D182528			28 ± 0.165	
FU□D182530			30 ± 0.165	
FU□D182536			36 ± 0.195	
FU□D202416	20 ^{+0.028} / _{+0.007}	24 ^{+0.056} / _{+0.035}	16 ± 0.135	

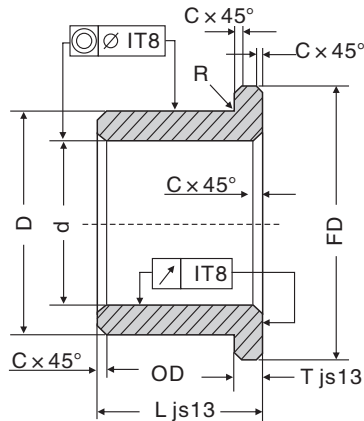
Model No.	I.D. d(G7)	O.D. D(s7)	Length	C _{max} CHAMFER
FU□D202420			20 ± 0.165	
FU□D202425	20 ^{+0.028} / _{+0.007}	24 ^{+0.056} / _{+0.035}	25 ± 0.165	
FU□D202432			32 ± 0.195	
FU□D202515			15 ± 0.135	
FU□D202516			16 ± 0.135	
FU□D202520			20 ± 0.165	
FU□D202525	20 ^{+0.028} / _{+0.007}	25 ^{+0.056} / _{+0.035}	25 ± 0.165	
FU□D202530			30 ± 0.165	
FU□D202532			32 ± 0.195	
FU□D202535			35 ± 0.195	
FU□D202615			15 ± 0.135	
FU□D202616			16 ± 0.135	
FU□D202620			20 ± 0.165	
FU□D202625	20 ^{+0.028} / _{+0.007}	26 ^{+0.056} / _{+0.035}	25 ± 0.165	
FU□D202630			30 ± 0.165	
FU□D202632			32 ± 0.195	
FU□D202635			35 ± 0.195	
FU□D202640			40 ± 0.195	
FU□D202716			16 ± 0.135	
FU□D202720	20 ^{+0.028} / _{+0.007}	27 ^{+0.056} / _{+0.035}	20 ± 0.165	
FU□D202725			25 ± 0.165	
FU□D202732			32 ± 0.195	
FU□D202816			16 ± 0.135	
FU□D202820			20 ± 0.165	
FU□D202825			25 ± 0.165	
FU□D202830	20 ^{+0.028} / _{+0.007}	28 ^{+0.056} / _{+0.035}	30 ± 0.165	
FU□D202832			32 ± 0.195	
FU□D202835			35 ± 0.195	0.4
FU□D202850			50 ± 0.195	
FU□D203020			20 ± 0.165	
FU□D203025			25 ± 0.165	
FU□D203030	20 ^{+0.028} / _{+0.007}	30 ^{+0.056} / _{+0.035}	30 ± 0.165	
FU□D203035			35 ± 0.195	
FU□D203040			40 ± 0.195	
FU□D222715			15 ± 0.135	
FU□D222718			18 ± 0.135	
FU□D222720			20 ± 0.165	
FU□D222722			22 ± 0.165	
FU□D222725	22 ^{+0.028} / _{+0.007}	27 ^{+0.056} / _{+0.035}	25 ± 0.165	
FU□D222728			28 ± 0.165	
FU□D222730			30 ± 0.165	
FU□D222735			35 ± 0.195	
FU□D222736			36 ± 0.195	
FU□D222740			40 ± 0.195	
FU□D222815			15 ± 0.135	
FU□D222818			18 ± 0.135	
FU□D222820			20 ± 0.165	
FU□D222822			22 ± 0.165	
FU□D222825	22 ^{+0.028} / _{+0.007}	28 ^{+0.056} / _{+0.035}	25 ± 0.165	
FU□D222828			28 ± 0.165	
FU□D222830			30 ± 0.165	
FU□D222835			35 ± 0.195	
FU□D222836			36 ± 0.195	
FU□D222840			40 ± 0.195	

Model No.	I.D. d(G7)	O.D. D(s7)	Length	C _{max} CHAMFER	
FU□D222918			18 ± 0.135		
FU□D222922	22 ^{+0.028} _{+0.007}	29 ^{+0.056} _{+0.035}	22 ± 0.165		
FU□D222928			28 ± 0.165		
FU□D222936			36 ± 0.195		
FU□D223220	22 ^{+0.028} _{+0.007}	32 ^{+0.068} _{+0.043}	20 ± 0.135		
FU□D223250			50 ± 0.195		
FU□D253020			20 ± 0.165		
FU□D253025			25 ± 0.165		
FU□D253030			30 ± 0.165		
FU□D253032	25 ^{+0.028} _{+0.007}	30 ^{+0.056} _{+0.035}	32 ± 0.195		
FU□D253035			35 ± 0.195		
FU□D253040			40 ± 0.195		
FU□D253050			50 ± 0.195		
FU□D253220			20 ± 0.165		
FU□D253225			25 ± 0.165		
FU□D253230			30 ± 0.165		
FU□D253232	25 ^{+0.028} _{+0.007}	32 ^{+0.068} _{+0.043}	32 ± 0.195		
FU□D253235			35 ± 0.195		
FU□D253240			40 ± 0.195		
FU□D253245			45 ± 0.195		
FU□D253525			25 ± 0.165		
FU□D253530			30 ± 0.165		
FU□D253535	25 ^{+0.028} _{+0.007}	35 ^{+0.068} _{+0.043}	35 ± 0.195		
FU□D253540			40 ± 0.195		
FU□D253545			45 ± 0.195		
FU□D253550			50 ± 0.195		
FU□D283222			22 ± 0.165		
FU□D283228	28 ^{+0.028} _{+0.007}	32 ^{+0.068} _{+0.043}	28 ± 0.165	0.6	
FU□D283236			36 ± 0.195		
FU□D283245			45 ± 0.195		
FU□D283320			20 ± 0.165		
FU□D283322			22 ± 0.165		
FU□D283328	28 ^{+0.028} _{+0.007}	33 ^{+0.068} _{+0.043}	28 ± 0.165		
FU□D283330			30 ± 0.165		
FU□D283336			36 ± n195		
FU□D283345			45 ± 0.195		
FU□D283525			25 ± 0.165		
FU□D283530			30 ± 0.165		
FU□D283535	28 ^{+0.028} _{+0.007}	35 ^{+0.068} _{+0.043}	35 ± 0.195		
FU□D283540			40 ± 0.195		
FU□D283545			45 ± 0.195		
FU□D283550			50 ± 0.195		
FU□D283620			20 ± 0.165		
FU□D283622			22 ± 0.165		
FU□D283625			25 ± 0.165		
FU□D283628			28 ± 0.165		
FU□D283630	28 ^{+0.028} _{+0.007}	36 ^{+0.068} _{+0.043}	30 ± 0.165		
FU□D283635			35 ± 0.195		
FU□D283636			36 ± 0.195		
FU□D283640			40 ± 0.195		
FU□D283645			45 ± 0.195		
FU□D283650			50 ± 0.195		
FU□D303520	30 ^{+0.028} _{+0.007}	35 ^{+0.068} _{+0.043}	20 ± 0.165		
FU□D303525			25 ± 0.165		

Model No.	I.D. d(G7)	O.D. D(s7)	Length	C _{max} CHAMFER
FU□D303530			30 ± 0.165	
FU□D303535			35 ± 0.195	
FU□D303540	30 ^{+0.028} _{+0.007}	35 ^{+0.068} _{+0.043}	40 ± 0.195	
FU□D303545			45 ± 0.195	
FU□D303550			50 ± 0.195	
FU□D303630			30 ± 0.165	
FU□D303635			35 ± 0.195	
FU□D303640	30 ^{+0.028} _{+0.007}	36 ^{+0.068} _{+0.043}	40 ± 0.195	
FU□D303645			45 ± 0.195	
FU□D303650			50 ± 0.195	
FU□D303820			20 ± 0.165	
FU□D303824			24 ± 0.165	
FU□D303825			25 ± 0.165	
FU□D303830			30 ± 0.165	
FU□D303835	30 ^{+0.028} _{+0.007}	38 ^{+0.068} _{+0.043}	35 ± 0.195	
FU□D303838			38 ± 0.195	
FU□D303840			40 ± 0.195	
FU□D303845			45 ± 0.195	
FU□D303850			50 ± 0.195	
FU□D304020			20 ± 0.165	0.6
FU□D304025			25 ± 0.165	
FU□D304030			30 ± 0.165	
FU□D304035	30 ^{+0.028} _{+0.007}	40 ^{+0.068} _{+0.043}	35 ± 0.195	
FU□D304040			40 ± 0.195	
FU□D304045			45 ± 0.195	
FU□D304050			50 ± 0.195	
FU□D323820			20 ± 0.165	
FU□D323825			25 ± 0.165	
FU□D323830	32 ^{+0.034} _{+0.009}	38 ^{+0.068} _{+0.043}	30 ± 0.165	
FU□D323832			32 ± 0.195	
FU□D323840			40 ± 0.195	
FU□D323850			50 ± 00195	
FU□D324020			20 ± 0.165	
FU□D324025			25 ± 0.165	
FU□D324030			30 ± 0.165	
FU□D324032	32 ^{+0.034} _{+0.009}	40 ^{+0.068} _{+0.043}	32 ± 0.195	
FU□D324035			35 ± 0.195	
FU□D324040			40 ± 0.195	
FU□D324045			45 ± 0.195	
FU□D324050			50 ± 0.195	
FU□D354020			20 ± 0.165	
FU□D354025			25 ± 0.165	
FU□D354030			30 ± 0.165	
FU□D354035	35 ^{+0.034} _{+0.009}	40 ^{+0.068} _{+0.043}	35 ± 0.195	
FU□D354040			40 ± 0.195	
FU□D354045			4.5 ± 0.195	
FU□D354050			50 ± 0.195	
FU□D354125			25 ± 0.165	0.7
FU□D354135	35 ^{+0.034} _{+0.009}	41 ^{+0.068} _{+0.043}	35 ± 0.195	
FU□D354140			40 ± 0.195	
FU□D354422			22 ± 0.165	
FU□D354428	35 ^{+0.034} _{+0.009}	44 ^{+0.068} _{+0.043}	28 ± 0.165	
FU□D354435			35 ± 0.195	
FU□D354525	35 ^{+0.034} _{+0.009}	45 ^{+0.068} _{+0.043}	25 ± 0.165	

Model No.	I.D. d(G7)	O.D. D(s7)	Length	C _{max} CHAMFER
FU□D354530			30 ± 0.165	
FU□D354535			35 ± 0.195	
FU□D354540	35 ^{+0.034} _{+0.009}	45 ^{+0.068} _{+0.043}	40 ± 0.195	
FU□D354545			4.5 ± 0.195	
FU□D354550			50 ± 0.195	
FU□D354560			60 ± 0.230	
FU□D364222			22 ± 0.165	
FU□D364228	36 ^{+0.034} _{+0.009}	42 ^{+0.068} _{+0.043}	28 ± 0.165	
FU□D364236			36 ± 0.195	
FU□D364245			4.5 ± 0.195	
FU□D364522			22 ± 0.165	
FU□D364528	36 ^{+0.034} _{+0.009}	45 ^{+0.068} _{+0.043}	28 ± 0.165	
FU□D364536			36 ± 0.195	
FU□D364545			45 ± 0.195	
FU□D384425			25 ± 0.165	
FU□D384435	38 ^{+0.034} _{+0.009}	44 ^{+0.068} _{+0.043}	35 ± 0.195	
FU□D384445			45 ± 0.195	
FU□D384835			35 ± 0.195	
FU□D384845	38 ^{+0.034} _{+0.009}	48 ^{+0.068} _{+0.043}	45 ± 0.195	
FU□D384855			55 ± 0.230	
FU□D404535			35 ± 0.195	
FU□D404540	40 ^{+0.034} _{+0.009}	45 ^{+0.068} _{+0.043}	40 ± 0.195	
FU□D404545			45 ± 0.195	
FU□D404550			50 ± 0.195	
FU□D404625			25 ± 0.165	
FU□D404630			30 ± 0.165	
FU□D404632	40 ^{+0.034} _{+0.009}	46 ^{+0.068} _{+0.043}	32 ± 0.195	0.7
FU□D404640			40 ± 0.195	
FU□D404650			50 ± 0.195	
FU□D405025			25 ± 0.165	
FU□D405030			30 ± 0.165	
FU□D405032			32 ± 0.195	
FU□D405035	40 ^{+0.034} _{+0.009}	50 ^{+0.068} _{+0.043}	35 ± 0.195	
FU□D405040			40 ± 0.195	
FU□D405045			45 ± 0.195	
FU□D405050			50 ± 0.195	
FU□D405060			60 ± 0.230	
FU□D424840	42 ^{+0.034} _{+0.009}	48 ^{+0.068} _{+0.043}	40 ± 0.195	
FU□D424850			50 ± 0.195	
FU□D425240			40 ± 0.195	
FU□D425250	42 ^{+0.034} _{+0.009}	52 ^{+0.083} _{+0.053}	50 ± 0.195	
FU□D455128			28 ± 0.165	
FU□D455135			35 ± 0.195	
FU□D455136	45 ^{+0.034} _{+0.009}	51 ^{+0.083} _{+0.053}	36 ± 0.195	
FU□D455145			45 ± 0.195	
FU□D455155			55 ± 0.230	
FU□D455156			56 ± 0.230	
FU□D455530			30 ± 0.165	
FU□D455535			35 ± 0.195	
FU□D455540	45 ^{+0.034} _{+0.009}	55 ^{+0.083} _{+0.053}	40 ± 0.195	
FU□D455545			45 ± 0.195	
FU□D455550			50 ± 0.195	
FU□D455555			55 ± 0.230	

Model No.	I.D. d(G7)	O.D. D(s7)	Length	C _{max} CHAMFER
FU□D455560			60 ± 0.230	
FU□D455565	45 ^{+0.034} _{+0.009}	55 ^{+0.083} _{+0.053}	65 ± 0.230	
FU□D455628			28 ± 0.165	
FU□D455635			35 ± 0.195	
FU□D455636	45 ^{+0.034} _{+0.009}	56 ^{+0.083} _{+0.053}	36 ± 0.195	
FU□D455645			45 ± 0.195	
FU□D455656			56 ± 0.230	
FU□D456040			40 ± 0.195	
FU□D456045	45 ^{+0.034} _{+0.009}	60 ^{+0.083} _{+0.053}	45 ± 0.195	
FU□D456050			50 ± 0.195	
FU□D456060			60 ± 0.230	
FU□D485550	48 ^{+0.034} _{+0.009}	55 ^{+0.083} _{+0.053}	50 ± 0.195	
FU□D485850	48 ^{+0.034} _{+0.009}	58 ^{+0.083} _{+0.053}	50 ± 0.195	
FU□D505632			32 ± 0.195	
FU□D505640	50 ^{+0.034} _{+0.009}	56 ^{+0.083} _{+0.053}	40 ± 0.195	
FU□D505650			50 ± 0.195	
FU□D505663			63 ± 0.230	0.7
FU□D506030			30 ± 0.165	
FU□D506032			32 ± 0.195	
FU□D506035			35 ± 0.195	
FU□D506040			40 ± 0.195	
FU□D506045	50 ^{+0.034} _{+0.009}	60 ^{+0.083} _{+0.053}	45 ± 0.195	
FU□D506050			50 ± 0.195	
FU□D506060			60 ± 0.230	
FU□D506063			63 ± 0.230	
FU□D506070			70 ± 0.230	
FU□D506075			75 ± 0.230	
FU□D556340	55 ^{+0.040} _{+0.010}	63 ^{+0.083} _{+0.053}	40 ± 0.195	
FU□D556355			55 ± 0.230	
FU□D556540			40 ± 0.195	
FU□D556555	55 ^{+0.040} _{+0.010}	65 ^{+0.083} _{+0.053}	55 ± 0.230	
FU□D556570			70 ± 0.230	
FU□D606850			50 ± 0.195	
FU□D606860	60 ^{+0.040} _{+0.010}	68 ^{+0.089} _{+0.059}	60 ± 0.230	
FU□D607050			50 ± 0.195	
FU□D607060			60 ± 0.230	
FU□D607090	60 ^{+0.040} _{+0.010}	70 ^{+0.089} _{+0.059}	90 ± 0.270	
FU□D6070120			120 ± 0.270	
FU□D607250			50 ± 0.195	
FU□D607260	60 ^{+0.040} _{+0.010}	72 ^{+0.089} _{+0.059}	60 ± 0.230	
FU□D607270			70 ± 0.230	0.8
FU□D608090			90 ± 0.270	
FU□D6080120	60 ^{+0.040} _{+0.010}	80 ^{+0.089} _{+0.059}	120 ± 0.270	
FU□D637040			40 ± 0.195	
FU□D637050			50 ± 0.195	
FU□D708090	70 ^{+0.040} _{+0.010}	80 ^{+0.089} _{+0.059}	90 ± 0.270	
FU□D7080120			120 ± 0.270	
FU□D8010080			80 ± 0.230	
FU□D80100120	80 ^{+0.040} _{+0.010}	100 ^{+0.106} _{+0.071}	120 ± 0.270	
FU□D10012080			80 ± 0.230	
FU□D100120120			120 ± 0.270	
FU□D110125120	110 ^{+0.054} _{+0.014}	125 ^{+0.132} _{+0.092}	112 ± 0.270	1
FU□D125150120			125 ± 0.270	
FU□D125150120			125 ± 0.270	



Model No.	I.D. d(G7)	O.D. D(s7)	FLANGE O.D. FD (js13)	FLANGE THICKNESS T (js13)	Length	R	Cmax CHAMFER
FU□F020503	2 ^{+0.012} / _{+0.002}	5 ^{+0.031} / _{+0.019}	8 ± 0.110	1.5 ± 0.070	3 ± 0.070		
FU□F030604					4 ± 0.090		
FU□F030605					5 ± 0.090		
FU□F030606					6 ± 0.090		
FU□F030610					10 ± 0.110		
FU□F040803					3 ± 0.070		
FU□F040804					4 ± 0.090		
FU□F040805					5 ± 0.090		
FU□F040806	4 ^{+0.016} / _{+0.004}	8 ^{+0.038} / _{+0.023}	12 ± 0.135	2 ± 0.070	6 ± 0.090	0.3	
FU□F040808					8 ± 0.110		
FU□F040810					10 ± 0.110		
FU□F040812					12 ± 0.135		
FU□F050904					4 ± 0.090		
FU□F050905	5 ^{+0.016} / _{+0.004}	9 ^{+0.038} / _{+0.023}	13 ± 0.135	2 ± 0.070	5 ± 0.090		
FU□F050908					8 ± 0.110		
FU□F061004					4 ± 0.090		0.3
FU□F061005					5 ± 0.090		
FU□F061006					6 ± 0.090		
FU□F061010	6 ^{+0.016} / _{+0.004}	10 ^{+0.038} / _{+0.023}	14 ± 0.135	2 ± 0.070	10 ± 0.110		
FU□F061012					12 ± 0.135		
FU□F061015					15 ± 0.135		
FU□F061016					16 ± 0.135		
FU□F071105					5 ± 0.090		
FU□F071108	7 ^{+0.020} / _{+0.005}	11 ^{+0.046} / _{+0.028}	15 ± 0.135	2 ± 0.070	8 ± 0.110		
FU□F071110					10 ± 0.110		
FU□F081206					6 ± 0.090		
FU□F081208					8 ± 0.110		
FU□F081210					10 ± 0.110		
FU□F081212	8 ^{+0.020} / _{+0.005}	12 ^{+0.046} / _{+0.028}	16 ± 0.135	2 ± 0.070	12 ± 0.135	0.6	
FU□F081215					15 ± 0.135		
FU□F081216					16 ± 0.135		
FU□F081220					20 ± 0.165		
FU□F091406					6 ± 0.090		
FU□F091410	9 ^{+0.020} / _{+0.005}	14 ^{+0.046} / _{+0.028}	19 ± 0.165	2.5 ± 0.070	10 ± 0.110		
FU□F091414					14 ± 0.135		
FU□F101310	10 ^{+0.020} / _{+0.005}	13 ^{+0.046} / _{+0.028}	17 ± 0.135	2.5 ± 0.070	10 ± 0.110		0.4



METRIC SINTERED FU FLANGE BEARING

Model No.	I.D. d(G7)	O.D. D(s7)	FLANGE O.D. FD (js13)	FLANGE THICKNESS T (js13)	Length	R	Cmax CHAMFER
FU□F101316	10 ^{+0.020} _{+0.005}	13 ^{+0.046} _{+0.028}	17 ± 0.135	2.5 ± 0.070	16 ± 0.135		
FU□F101320					20 ± 0.165		
FU□F101410	10 ^{+0.020} _{+0.005}	14 ^{+0.046} _{+0.028}	18 ± 0.135	2 ± 0.070	10 ± 0.110		
FU□F101415					15 ± 0.135		
FU□F101420					20 ± 0.165		
FU□F101508					8 ± 0.110		
FU□F101510	10 ^{+0.020} _{+0.005}	15 ^{+0.046} _{+0.028}	21 ± 0.165	3 ± 0.070	10 ± 0.110		
FU□F101515					15 ± 0.135		
FU□F101516					16 ± 0.135		
FU□F101520					20 ± 0.165		
FU□F101608	10 ^{+0.020} _{+0.005}	16 ^{+0.046} _{+0.028}	22 ± 0.165	3 ± 0.070	8 ± 0.110		
FU□F101610					10 ± 0.110		
FU□F101616					16 ± 0.135		
FU□F121512					12 ± 0.135		
FU□F121516	10 ^{+0.024} _{+0.006}	15 ^{+0.046} _{+0.028}	21 ± 0.165	3 ± 0.070	16 ± 0.135		
FU□F121520					20 ± 0.165		
FU□F121620	12 ^{+0.024} _{+0.006}	16 ^{+0.046} _{+0.028}	18 ± 0.135	2 ± 0.070	20 ± 0.165		
FU□F121712					12 ± 0.135		
FU□F121716					16 ± 0.135		
FU□F121720					20 ± 0.165		
FU□F121725	12 ^{+0.024} _{+0.006}	17 ^{+0.046} _{+0.028}	23 ± 0.165	3 ± 0.070	25 ± 0.165		
FU□F121808					8 ± 0.110		
FU□F121812					12 ± 0.135		
FU□F121820					20 ± 0.165		
FU□F141814	14 ^{+0.024} _{+0.006}	18 ^{+0.046} _{+0.028}	22 ± 0.165	2 ± 0.070	14 ± 0.135		
FU□F141818					18 ± 0.135		
FU□F141822					22 ± 0.165		
FU□F142010					10 ± 0.110		
FU□F142014	14 ^{+0.024} _{+0.006}	20 ^{+0.056} _{+0.028}	26 ± 0.165	3 ± 0.070	14 ± 0.135	0.6	0.4
FU□F142015					15 ± 0.135		
FU□F142018					18 ± 0.135		
FU□F142020					20 ± 0.165		
FU□F142022	14 ^{+0.024} _{+0.006}	20 ^{+0.056} _{+0.028}	26 ± 0.165	3 ± 0.070	22 ± 0.165		
FU□F142028					28 ± 0.165		
FU□F151916					16 ± 0.135		
FU□F151920					20 ± 0.165		
FU□F151925	15 ^{+0.024} _{+0.006}	19 ^{+0.056} _{+0.035}	25 ± 0.165	3 ± 0.070	25 ± 0.165		
FU□F152015					15 ± 0.135		
FU□F152020					20 ± 0.165		
FU□F152025					25 ± 0.165		
FU□F152030	15 ^{+0.024} _{+0.006}	20 ^{+0.056} _{+0.035}	25 ± 0.165	3 ± 0.070	30 ± 0.165		
FU□F152110					10 ± 0.110		
FU□F152115					15 ± 0.135		
FU□F152116					16 ± 0.135		
FU□F152120	15 ^{+0.024} _{+0.006}	21 ^{+0.056} _{+0.035}	27 ± 0.165	3 ± 0.070	20 ± 0.165		
FU□F152125					25 ± 0.165		
FU□F152132					32 ± 0.195		
FU□F162016					16 ± 0.135		
FU□F162020	16 ^{+0.024} _{+0.006}	20 ^{+0.056} _{+0.035}	27 ± 0.165	3 ± 0.070	20 ± 0.165		
FU□F162025					25 ± 0.165		
FU□F162212					12 ± 0.135		
FU□F162215					15 ± 0.135		
FU□F162216	16 ^{+0.024} _{+0.006}	22 ^{+0.056} _{+0.035}	28 ± 0.165	3 ± 0.070	16 ± 0.135		
FU□F162220					20 ± 0.165		



METRIC SINTERED FU FLANGE BEARING

Model No.	I.D. d(G7)	O.D. D(s7)	FLANGE O.D. FD (js13)	FLANGE THICKNESS T (js13)	Length	R	Cmax CHAMFER
FU□F162225					25 ± 0.165		
FU□F162230	16 ^{+0.024} _{+0.006}	22 ^{+0.056} _{+0.035}	28 ± 0.165	3 ± 0.070	30 ± 0.165		
FU□F162232					32 ± 0.195		
FU□F182218					18 ± 0.135		
FU□F182222	18 ^{+0.024} _{+0.006}	22 ^{+0.056} _{+0.035}	26 ± 0.165	2 ± 0.070	22 ± 0.165		
FU□F182228					28 ± 0.165		
FU□F182412					12 ± 0.135		
FU□F182418					18 ± 0.135		
FU□F182422	18 ^{+0.024} _{+0.006}	24 ^{+0.056} _{+0.035}	30 ± 0.165	3 ± 0.070	22 ± 0.165		
FU□F182428					28 ± 0.165		
FU□F182430					30 ± 0.165		
FU□F182520					20 ± 0.165		
FU□F182525	18 ^{+0.024} _{+0.006}	25 ^{+0.056} _{+0.035}	32 ± 0.195	4 ± 0.090	25 ± 0.165		
FU□F182530					30 ± 0.165		
FU□F182535					35 ± 0.195		
FU□F202416					16 ± 0.135		
FU□F202420	20 ^{+0.028} _{+0.007}	24 ^{+0.056} _{+0.035}	30 ± 0.165	3 ± 0.070	20 ± 0.165		
FU□F202425					25 ± 0.165		
FU□F202615					15 ± 0.135		
FU□F202616					16 ± 0.135		
FU□F202620	20 ^{+0.028} _{+0.007}	26 ^{+0.056} _{+0.035}	32 ± 0.95	3 ± 0.070	20 ± 0.165		0.4
FU□F202625					25 ± 0.165		
FU□F202630					30 ± 0.165		
FU□F202632					32 ± 0.195		
FU□F202820					20 ± 0.165		
FU□F202825	20 ^{+0.028} _{+0.007}	28 ^{+0.056} _{+0.035}	35 ± 0.195	4 ± 0.090	25 ± 0.165		
FU□F202830					30 ± 0.165		
FU□F202835					35 ± 0.195	0.6	
FU□F222718					18 ± 0.135		
FU□F222722	22 ^{+0.028} _{+0.007}	27 ^{+0.056} _{+0.035}	32 ± 0.195	2.5 ± 0.070	22 ± 0.165		
FU□F222728					28 ± 0.165		
FU□F222815					15 ± 0.135		
FU□F222820	22 ^{+0.028} _{+0.007}	28 ^{+0.056} _{+0.035}	34 ± 0.195	3 ± 0.070	20 ± 0.165		
FU□F222825					25 ± 0.165		
FU□F222830					30 ± 0.165		
FU□F222918					18 ± 0.135		
FU□F222922	22 ^{+0.028} _{+0.007}	29 ^{+0.056} _{+0.035}	36 ± 0.195	3.5 ± 0.090	22 ± 0.165		
FU□F222928					28 ± 0.165		
FU□F222936					36 ± 0.195		
FU□F253020					20 ± 0.165		
FU□F253025	25 ^{+0.028} _{+0.007}	30 ^{+0.056} _{+0.035}	39 ± 0.195	3.5 ± 0.090	25 ± 0.165		
FU□F253032					32 ± 0.195		
FU□F253220					20 ± 0.165		
FU□F253225	25 ^{+0.028} _{+0.007}	32 ^{+0.068} _{+0.043}	39 ± 0.195	3.5 ± 0.090	25 ± 0.165		
FU□F253230					30 ± 0.165		
FU□F253232					32 ± 0.195		
FU□F283322					22 ± 0.165		0.6
FU□F283328	28 ^{+0.028} _{+0.007}	33 ^{+0.068} _{+0.043}	38 ± 0.195	2.5 ± 0.070	28 ± 0.165		
FU□F282236					36 ± 0.195		
FU□F283620					20 ± 0.165		
FU□F283622					22 ± 0.165		
FU□F283625	28 ^{+0.028} _{+0.007}	36 ^{+0.068} _{+0.043}	44 ± 0.195	4 ± 0.070	25 ± 0.165		
FU□F283628					28 ± 0.165		
FU□F283630					30 ± 0.165		



METRIC SINTERED FU FLANGE BEARING

Model No.	I.D. d(G7)	O.D. D(s7)	FLANGE O.D. FD (js13)	FLANGE THICKNESS T (js13)	Length	R	Cmax CHAMFER
FU□F283635	28 ^{+0.028} _{+0.007}	36 ^{+0.068} _{+0.043}	44 ± 0.195	4 ± 0.090	35 ± 0.195	0.6	
FU□F283636					36 ± 0.195		
FU□F283640					40 ± 0.195		
FU□F303820	30 ^{+0.028} _{+0.007}	38 ^{+0.068} _{+0.043}	46 ± 0.195	4 ± 0.090	20 ± 0.165	0.6	
FU□F303825					25 ± 0.165		
FU□F303830					30 ± 0.165		
FU□F304025	30 ^{+0.028} _{+0.007}	40 ^{+0.068} _{+0.043}	48 ± 0.195	4 ± 0.090	25 ± 0.165		
FU□F304030					30 ± 0.165		
FU□F304035					35 ± 0.195		
FU□F304040					40 ± 0.195		
FU□F323820	32 ^{+0.034} _{+0.009}	38 ^{+0.068} _{+0.043}	46 ± 0.195	4 ± 0,090	20 ± 0.165		
FU□F323825					25 ± 0.165		
FU□F323832					32 ± 0.195		
FU□F324020	32 ^{+0.034} _{+0.009}	40 ^{+0.068} _{+0.043}	48 ± 0.195	4 ± 0.090	20 ± 0.165	0.6	
FU□F324025					25 ± 0.165		
FU□F324028					28 ± 0.165		
FU□F324030					30 ± 0.165		
FU□F324032					32 ± 0.195		
FU□F324035					35 ± 0.195		
FU□F324036					36 ± 0.165		
FU□F324040					40 ± 0.195		
FU□F354525	35 ^{+0.034} _{+0.009}	45 ^{+0.068} _{+0.043}	55 ± 0.230	5 ± 0.090	25 ± 0.165		
FU□F354530					30 ± 0.165		
FU□F354535					35 ± 0.195		
FU□F354540					40 ± 0.195		
FU□F364522	36 ^{+0.034} _{+0.009}	45 ^{+0.068} _{+0.043}	48 ± 0.195	4.5 ± 0.090	22 ± 0.165		
FU□F384825	38 ^{+0.034} _{+0.009}	48 ^{+0.068} _{+0.043}	58 ± 0.230	5 ± 0.090	25 ± 0.165		
FU□F384835					35 ± 0.195		
FU□F404625	40 ^{+0.034} _{+0.009}	46 ^{+0.068} _{+0.043}	56 ± 0.230	5 ± 0.090	25 ± 0.165		
FU□F404632					32 ± 0.195		
FU□F404640					40 ± 0.195		
FU□F405025					25 ± 0.165	0.8	
FU□F405030	40 ^{+0.034} _{+0.009}	50 ^{+0.068} _{+0.043}	60 ± 0.230	5 ± 0.090	30 ± 0.165		
FU□F405032					32 ± 0.195		
FU□F405035					35 ± 0.195		
FU□F405040					40 ± 0.195		
FU□F405050					50 ± 0.195		
FU□F425230	42 ^{+0.034} _{+0.009}	52 ^{+0.083} _{+0.053}	62 ± 0.230	5 ± 0.090	30 ± 0.165	0.7	
FU□F425240					40 ± 0.195		
FU□F425250					50 ± 0.195		
FU□F455128	45 ^{+0.034} _{+0.009}	51 ^{+0.083} _{+0.053}	57 ± 0.230	3 ± 0.070	28 ± 0.165		
FU□F455136					36 ± 0.195		
FU□F455145					45 ± 0.195		
FU□F455535					35 ± 0.195		
FU□F455545	45 ^{+0.034} _{+0.009}	55 ^{+0.083} _{+0.053}	65 ± 0.230	5 ± 0.090	45 ± 0.195		
FU□F455555					55 ± 0.230		
FU□F455628					28 ± 0.165		
FU□F455636	45 ^{+0.034} _{+0.009}	56 ^{+0.083} _{+0.053}	67 ± 0.230	5.5 ± 0.090	36 ± 0.195		
FU□F455645					45 ± 0.195		
FU□F505632					32 ± 0.195		
FU□F505640	45 ^{+0.034} _{+0.009}	56 ^{+0.083} _{+0.053}	62 ± 0.230	3 ± 0.070	40 ± 0.195		
FU□F505650					50 ± 0.195		
FU□F506032					32 ± 0.195		
FU□F506040	50 ^{+0.034} _{+0.009}	60 ^{+0.083} _{+0.057}	70 ± 0.230	5 ± 0.090	40 ± 0.195		
FU□F506050					50 ± 0.195		
FU□F607050	60 ^{+0.040} _{+0.010}	70 ^{+0.089} _{+0.059}	80 ± 0.230	5 ± 0.090	50 ± 0.195	0.8	
FU□F607060					60 ± 0.230		